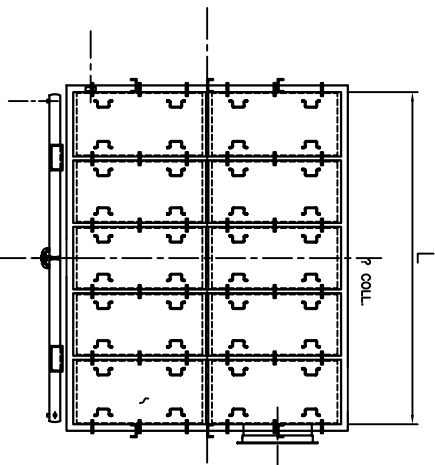
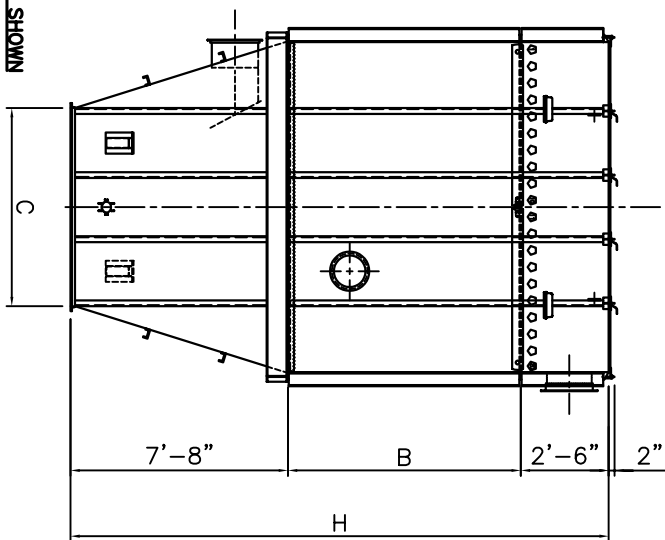


R14D-280 SHOWN



MODEL	B*	C	H*	L	FILTER AREA (SQ. FT.)	VALVE SIZE	NO. OF VALVES	COMP. AIR CONSUMPTION (SCFM)
R14D-224-84	7'-8"	5'-4"	18'-3"	10'-8"	2374	1	16	16.8
R14D-224-96	8'-8"	5'-4"	19'-3"	10'-8"	2733	1	16	16.8
R14D-224-120	10'-8"	5'-4"	21'-3"	10'-8"	3472	1.5	16	28.0
R14D-224-144	12'-8"	5'-4"	23'-3"	10'-8"	4134	1.5	16	28.0
R14D-252-84	7'-8"	6'-8"	18'-3"	12'-0"	2671	1	18	16.8
R14D-252-96	8'-8"	6'-8"	19'-3"	12'-0"	3074	1	18	16.8
R14D-252-120	10'-8"	6'-8"	21'-3"	12'-0"	3856	1.5	18	28.0
R14D-252-144	12'-8"	6'-8"	23'-3"	12'-0"	4651	1.5	18	28.0
R14D-280-84	7'-8"	8'-0"	18'-3"	13'-4"	2968	1	20	16.8
R14D-280-96	8'-8"	8'-0"	19'-3"	13'-4"	3416	1	20	16.8
R14D-280-120	10'-8"	8'-0"	21'-3"	13'-4"	4284	1.5	20	28.0
R14D-280-144	12'-8"	8'-0"	23'-3"	13'-4"	5168	1.5	20	28.0
R14D-308-84	7'-8"	9'-4"	18'-3"	14'-8"	3265	1	22	25.2
R14D-308-96	8'-8"	9'-4"	19'-3"	14'-8"	3758	1	22	25.2
R14D-308-120	10'-8"	9'-4"	21'-3"	14'-8"	4712	1.5	22	42.0
R14D-308-144	12'-8"	9'-4"	23'-3"	14'-8"	5685	1.5	22	42.0
R14D-336-84	7'-8"	10'-8"	18'-3"	16'-0"	3562	1	24	25.2
R14D-336-96	8'-8"	10'-8"	19'-3"	16'-0"	4099	1	24	25.2
R14D-336-120	10'-8"	10'-8"	21'-3"	16'-0"	5141	1.5	24	42.0
R14D-336-144	12'-8"	10'-8"	23'-3"	16'-0"	6202	1.5	24	42.0
R14D-364-84	7'-8"	12'-0"	18'-3"	17'-4"	3858	1	26	25.2
R14D-364-96	8'-8"	12'-0"	19'-3"	17'-4"	4441	1	26	25.2
R14D-364-120	10'-8"	12'-0"	21'-3"	17'-4"	5569	1.5	26	42.0
R14D-364-144	12'-8"	12'-0"	23'-3"	17'-4"	6718	1.5	26	42.0
R14D-392-84	7'-8"	13'-4"	18'-3"	18'-8"	4155	1	28	25.2
R14D-392-96	8'-8"	13'-4"	19'-3"	18'-8"	4782	1	28	25.2
R14D-392-120	10'-8"	13'-4"	21'-3"	18'-8"	5998	1.5	28	42.0
R14D-392-144	12'-8"	13'-4"	23'-3"	18'-8"	7235	1.5	28	42.0
R14D-420-84	7'-8"	14'-8"	18'-3"	20'-0"	4452	1	30	25.2
R14D-420-96	8'-8"	14'-8"	19'-3"	20'-0"	5124	1	30	25.2
R14D-420-120	10'-8"	14'-8"	21'-3"	20'-0"	6426	1.5	30	42.0
R14D-420-144	12'-8"	14'-8"	23'-3"	20'-0"	7752	1.5	30	42.0

* DIMENSION INCLUDES GRID. DEDUCT 5" FOR UNITS WITHOUT GRID.