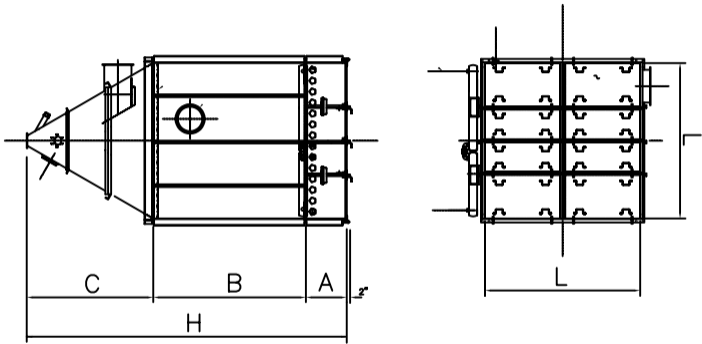


SD-196 SHOWN



| MODEL      | A     | B*      | C**    | H*      | L      | FILTER AREA<br>(SQ. FT.) | VALVE<br>SIZE | NO. OF<br>VALVES | COMP. AIR<br>CONSUMPTION<br>(SCFM) |
|------------|-------|---------|--------|---------|--------|--------------------------|---------------|------------------|------------------------------------|
| SD-49-60   | 2'-0" | 5'-10"  | 3'-8"  | 11'-6"  | 4'-10" | 368                      | 3/4"          | 7                | 7.2                                |
| SD-49-84   | 2'-0" | 7'-10"  | 3'-8"  | 13'-6"  | 4'-10" | 519                      | 3/4"          | 7                | 7.2                                |
| SD-49-96   | 2'-0" | 8'-10"  | 3'-8"  | 14'-6"  | 4'-10" | 598                      | 3/4"          | 7                | 7.2                                |
| SD-49-120  | 2'-0" | 10'-10" | 3'-8"  | 16'-6"  | 4'-10" | 750                      | 1"            | 7                | 12.6                               |
| SD-64-60   | 2'-0" | 5'-10"  | 4'-3"  | 12'-1"  | 5'-6"  | 480                      | 3/4"          | 8                | 7.2                                |
| SD-64-84   | 2'-0" | 7'-10"  | 4'-3"  | 14'-1"  | 5'-6"  | 678                      | 3/4"          | 8                | 7.2                                |
| SD-64-96   | 2'-0" | 8'-10"  | 4'-3"  | 15'-1"  | 5'-6"  | 781                      | 3/4"          | 8                | 7.2                                |
| SD-64-120  | 2'-0" | 10'-10" | 4'-3"  | 17'-1"  | 5'-6"  | 979                      | 1"            | 8                | 12.6                               |
| SD-81-84   | 2'-0" | 7'-10"  | 4'-10" | 14'-8"  | 6'-2"  | 859                      | 3/4"          | 9                | 7.2                                |
| SD-81-96   | 2'-0" | 8'-10"  | 4'-10" | 15'-8"  | 6'-2"  | 988                      | 3/4"          | 9                | 7.2                                |
| SD-81-120  | 2'-0" | 10'-10" | 4'-10" | 17'-8"  | 6'-2"  | 1239                     | 1"            | 9                | 12.6                               |
| SD-81-144  | 2'-0" | 12'-10" | 4'-10" | 19'-8"  | 6'-2"  | 1494                     | 1 1/2"        | 9                | 21.0                               |
| SD-100-84  | 2'-0" | 7'-10"  | 5'-5"  | 15'-3"  | 6'-10" | 1060                     | 1"            | 10               | 12.6                               |
| SD-100-96  | 2'-0" | 8'-10"  | 5'-5"  | 16'-3"  | 6'-10" | 1220                     | 1"            | 10               | 12.6                               |
| SD-100-120 | 2'-0" | 10'-10" | 5'-5"  | 18'-3"  | 6'-10" | 1530                     | 1"            | 10               | 12.6                               |
| SD-100-144 | 2'-0" | 12'-10" | 5'-5"  | 20'-3"  | 6'-10" | 1845                     | 1 1/2"        | 10               | 21.0                               |
| SD-121-84  | 2'-0" | 7'-10"  | 6'-0"  | 15'-10" | 7'-6"  | 1283                     | 1"            | 11               | 25.2                               |
| SD-121-96  | 2'-0" | 8'-10"  | 6'-0"  | 16'-10" | 7'-6"  | 1476                     | 1"            | 11               | 25.2                               |
| SD-121-120 | 2'-0" | 10'-10" | 6'-0"  | 18'-10" | 7'-6"  | 1851                     | 1 1/2"        | 11               | 42.0                               |
| SD-121-144 | 2'-0" | 12'-10" | 6'-0"  | 20'-10" | 7'-6"  | 2232                     | 1 1/2"        | 11               | 42.0                               |
| SD-144-84  | 2'-0" | 7'-10"  | 6'-7"  | 16'-5"  | 8'-2"  | 1526                     | 1"            | 12               | 25.2                               |
| SD-144-96  | 2'-0" | 8'-10"  | 6'-7"  | 17'-5"  | 8'-2"  | 1757                     | 1"            | 12               | 25.2                               |
| SD-144-120 | 2'-0" | 10'-10" | 6'-7"  | 19'-5"  | 8'-2"  | 2203                     | 1 1/2"        | 12               | 42.0                               |
| SD-144-144 | 2'-0" | 12'-10" | 6'-7"  | 21'-5"  | 8'-2"  | 2657                     | 1 1/2"        | 12               | 42.0                               |
| SD-169-84  | 2'-6" | 7'-10"  | 7'-2"  | 17'-6"  | 8'-10" | 1791                     | 1"            | 13               | 25.2                               |
| SD-169-96  | 2'-6" | 8'-10"  | 7'-2"  | 18'-6"  | 8'-10" | 2062                     | 1"            | 13               | 25.2                               |
| SD-169-120 | 2'-6" | 10'-10" | 7'-2"  | 20'-6"  | 8'-10" | 2586                     | 1 1/2"        | 13               | 42.0                               |
| SD-169-144 | 2'-6" | 12'-10" | 7'-2"  | 22'-6"  | 8'-10" | 3118                     | 1 1/2"        | 13               | 42.0                               |
| SD-196-84  | 2'-6" | 7'-10"  | 7'-9"  | 18'-1"  | 9'-6"  | 2078                     | 1"            | 14               | 25.2                               |
| SD-196-96  | 2'-6" | 8'-10"  | 7'-9"  | 19'-1"  | 9'-6"  | 2391                     | 1"            | 14               | 25.2                               |
| SD-196-120 | 2'-6" | 10'-10" | 7'-9"  | 21'-1"  | 9'-6"  | 2999                     | 1 1/2"        | 14               | 42.0                               |
| SD-196-144 | 2'-6" | 12'-10" | 7'-9"  | 23'-1"  | 9'-6"  | 3616                     | 1 1/2"        | 14               | 42.0                               |

\* DIMENSION INCLUDES GRID. DEDUCT 7" FOR UNITS WITHOUT GRID.

\*\* DIMENSION IS BASED ON 60° SIDE SLOPE & 7 1/2" DISCHARGE OPENING